

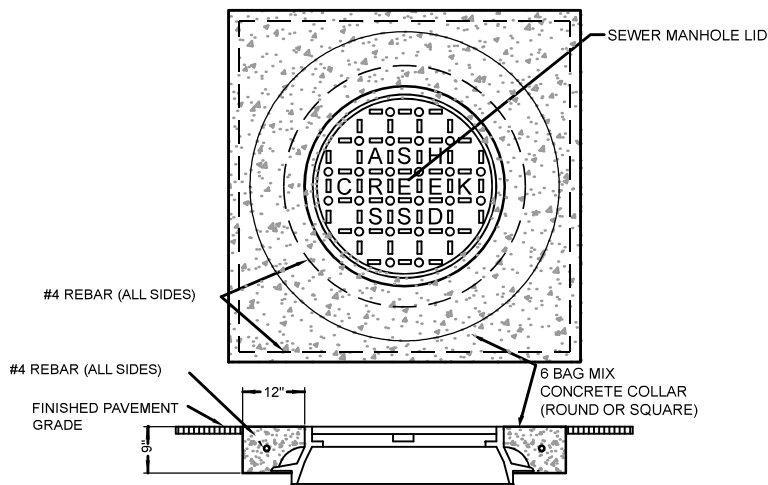
BOTTOM VIEW OF COVER

PLAN OF COVER & FRAME

NOTE:
 CAST IRON FRAME & COVER TO MEET REQUIREMENTS OF ASTM A 48 (CLASS 30)
 REQUIRED MINIMUM COMBINED WEIGHT 402 lbs.

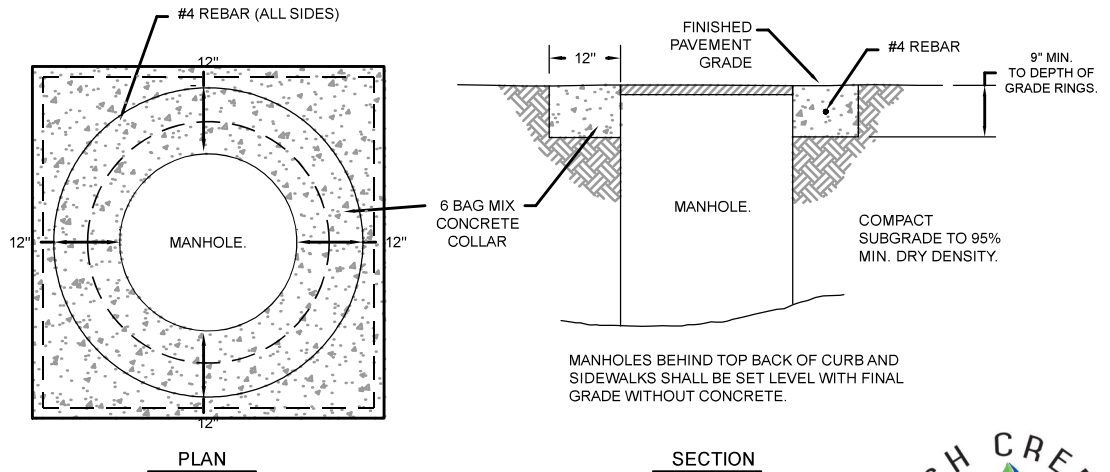
RING & LID DETAIL

N.T.S.



FRAME & LID DETAIL

N.T.S.



PLAN

SECTION

NOTES

1. ADJUST MANHOLES TO GRADE AFTER PAVING IS COMPLETED.
2. CUT OUT TOP AND SET COVER TO GRADE & BACKFILL w/CONCRETE. ASPHALT SHALL BE SAW CUT IN STRAIGHT UNIFORM LINES.

MANHOLE~ADJUSTMENT TO GRADE

N.T.S.

