



Ash Creek Special Service District

1350 S. Sandhollow Hurricane, UT 84737

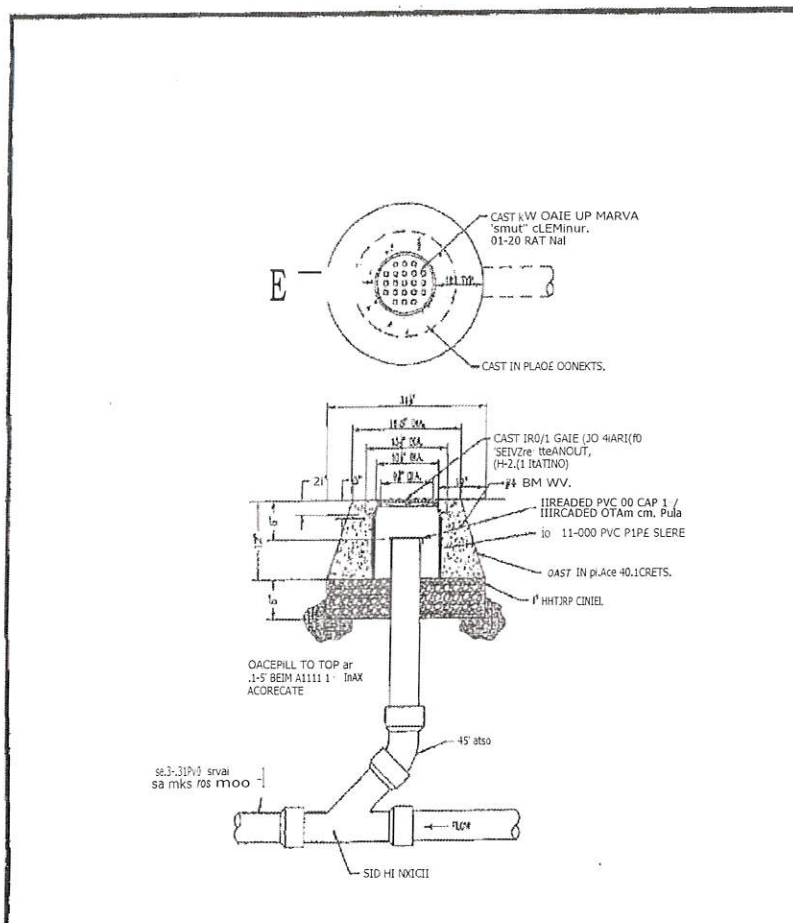
435 635-2348 Fax: 435 635-8550

E-mail: ashcreek@infowest.com

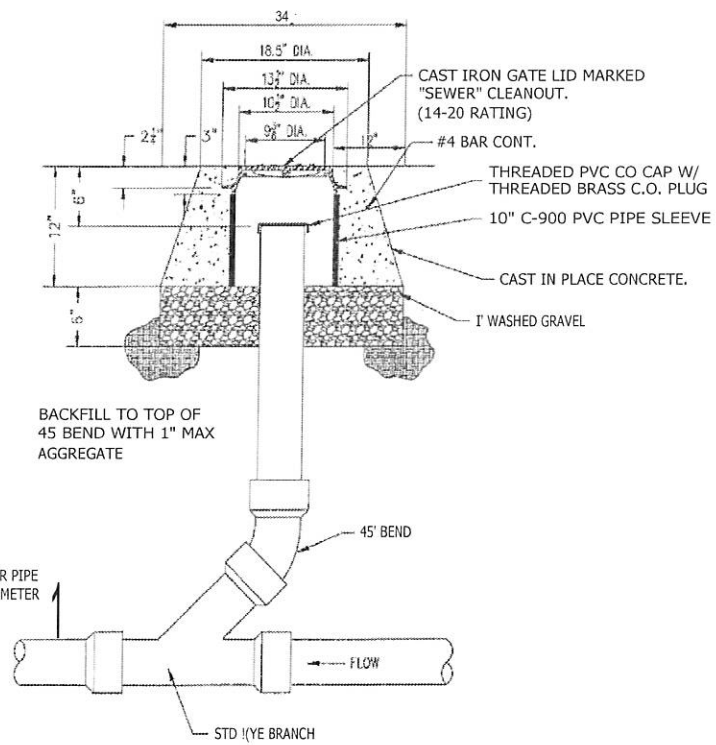
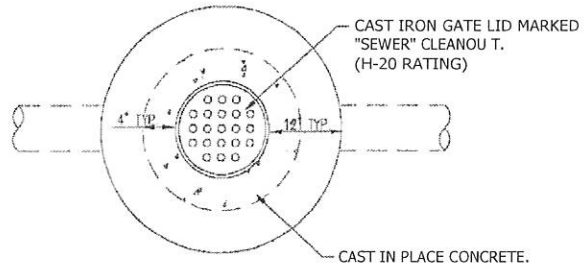
May 12, 2009

To Whom it May Concern,

The state legislature recently passed a new law (Senate Bill 94) that requires the Ash Creek District to map all sewer lateral cleanouts. The law also requires that the cleanouts be constructed in a way that can be easily located by a contractor. To comply with this new law the District will be requiring that every lateral be inspected. If not inspected, the District will not sign off on occupancy. The District will also require that the cleanouts be installed with an iron gate lid, and cement base. We have included a copy of the detail of the cleanout in this letter. If you have any questions, please feel free to contact us at the District office,



The District requires 2 types of inspections. A lateral inspection as well as a collared inspection. Both of these inspections will need to be done before signatures for occupancy will be given. To schedule these inspections call (435) 635-2348.



SEWER CLEANOUT W/LID DETAIL

N.T.S.