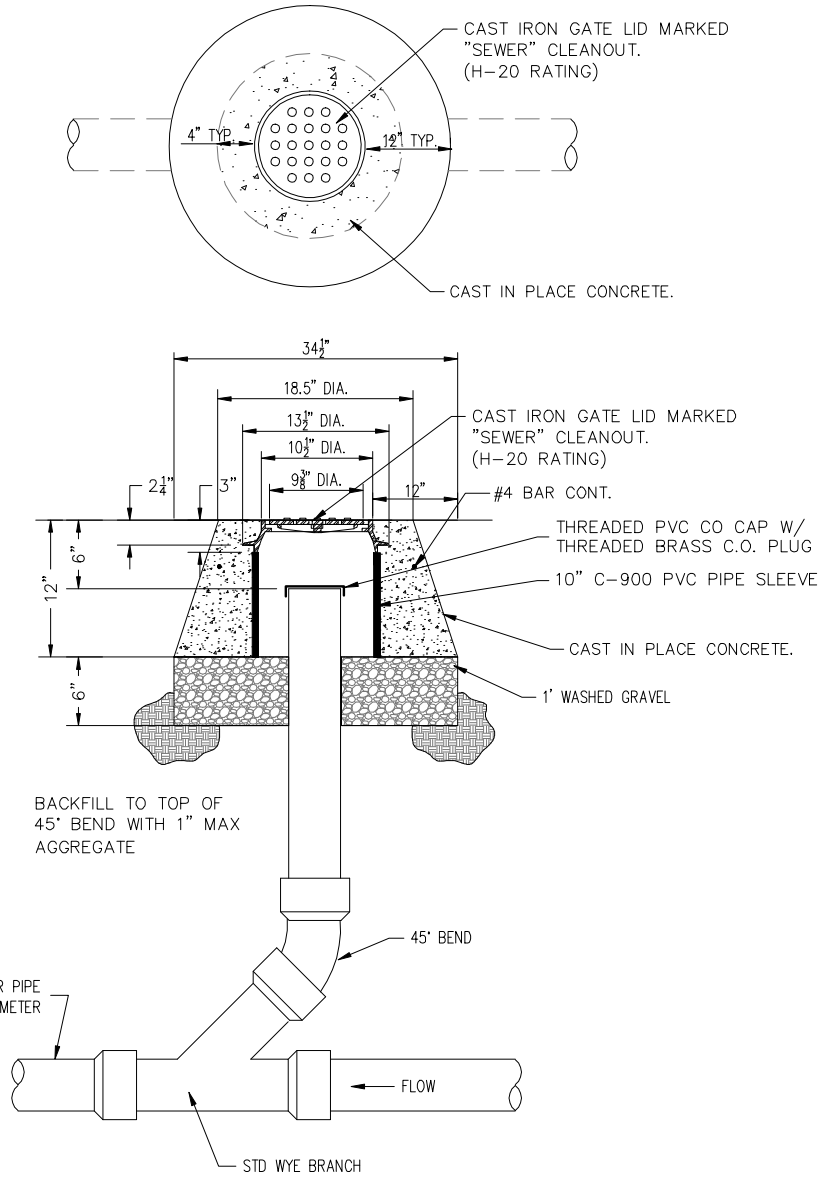


S:\edekpro\071-05\Ash Creek SSID Standard DWG\ACSSID Standard Drawings.dwg, J (2), 5/14/2009 9:25:25 AM, kbringhurst



**SEWER CLEANOUT W/LID DETAIL**

N.T.S.