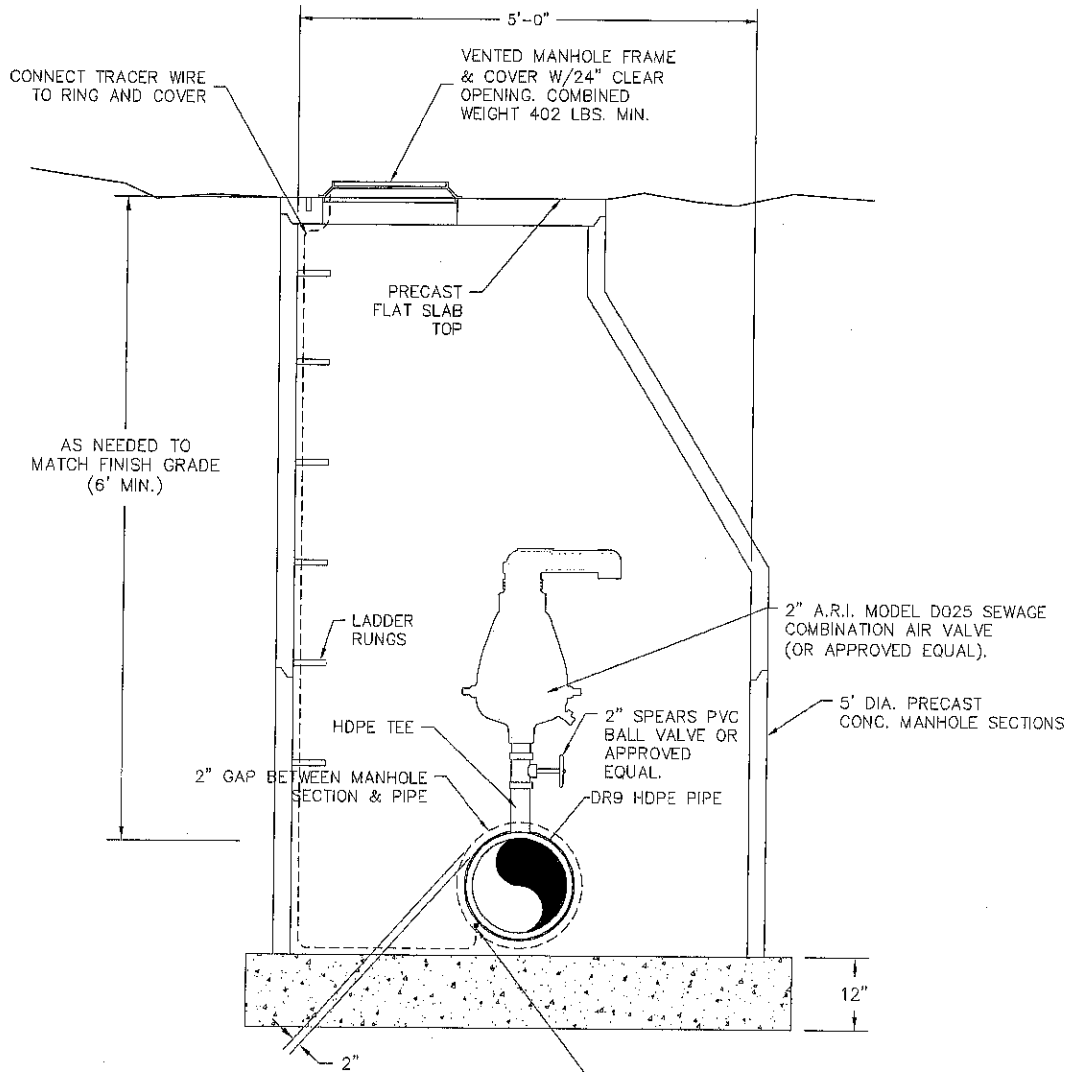


S:\sds\proj\071-05\Ash Creek SSD Standard DWG\ACSSD Standard Drawings.dwg. II. 4/21/2008 1:25:50 PM. gwilliams



NOTES: ALL AIR VALVES SHALL BE
INSTALLED VERTICALLY PLUMB
CONTRACTOR TO MAINTAIN POSITIVE SLOPE
ON FORCE MAIN TO NEW AIR/VAC VALVE

AIR VAC VALVE
N.T.S.

S:\sds\proj\071-05\Ash Creek SSD Standard DWG\ACSSD Standard Drawings.dwg, A, 4/24/2008 1:30:22 PM, gwiliams

ASPHALT SECTION AS SPECIFIED BY CITY STANDARDS.

NOTE:
NATURAL SOIL IS OK WITH DISTRICT APPROVAL.

6" OVER CUT IS REQUIRED WHEN TRENCH IS IN EXISTING PAVEMENT. TACK COAT ALL ASPHALT

NATIVE BACKFILL - 4" MINUS & FREE OF ORGANIC MATTER. TO BE COMPACTED TO 95% MAX. SOIL DENSITY AS DETERMINED BY ASTM D-1557

TRENCH SIDES TO MEET OSHA RULES AND REGULATIONS AND OR TRENCH BOX STANDARDS

MINUS NO.4 SIEVE SAND BEDDING WITH LESS THAN 15% FINES COMPACTED TO 95% MAX. DENSITY AS DETERMINED BY ASTM D-1557

2" LOOSELY COMPACTED MINUS NO.4 SIEVE SAND BEDDING WITH MORE THAN 15% FINES

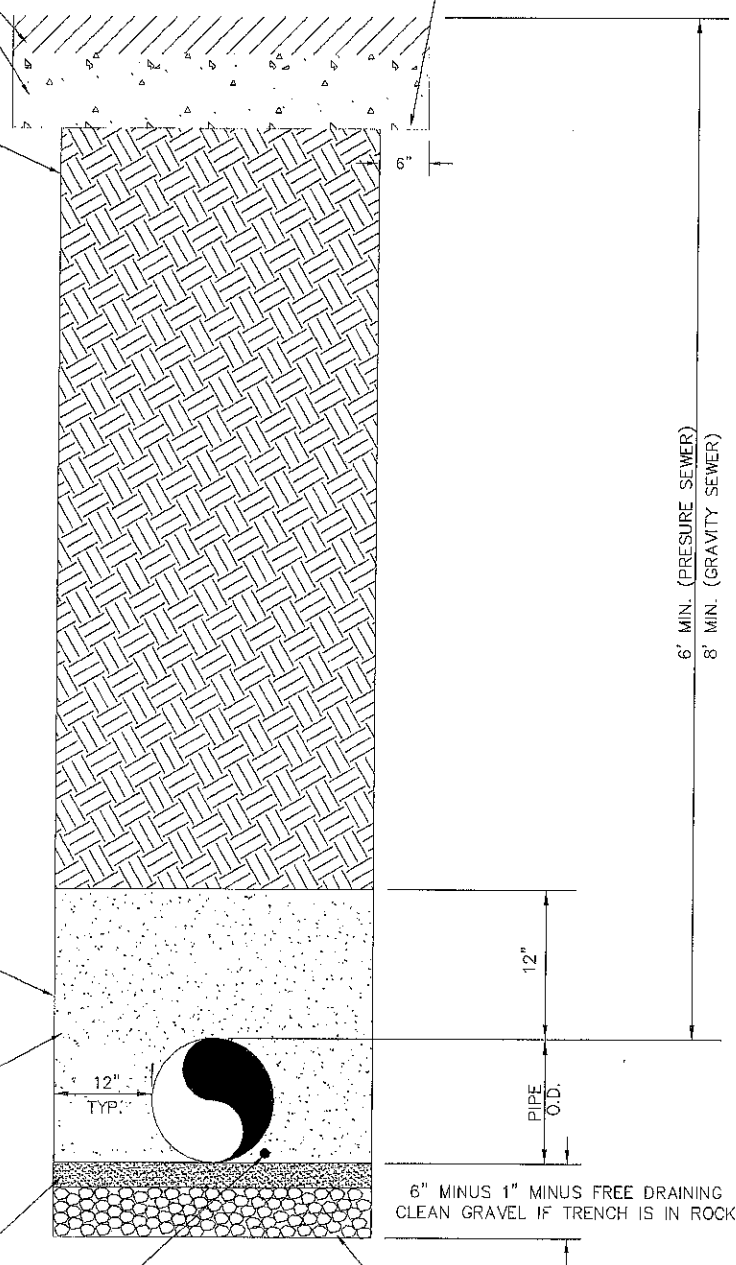
14 GAUGE, TYPE UF LOCATE WIRE (PRESURE SEWER ONLY)

6" MINUS 1" MINUS FREE DRAINING CLEAN GRAVEL IF TRENCH IS IN ROCK

FOUNDATION MATERIAL SHALL BE USED AS SPECIFIED BY THE GEOTECHNICAL ENGINEER WHEN TRENCH BOTTOM IS UNSTABLE

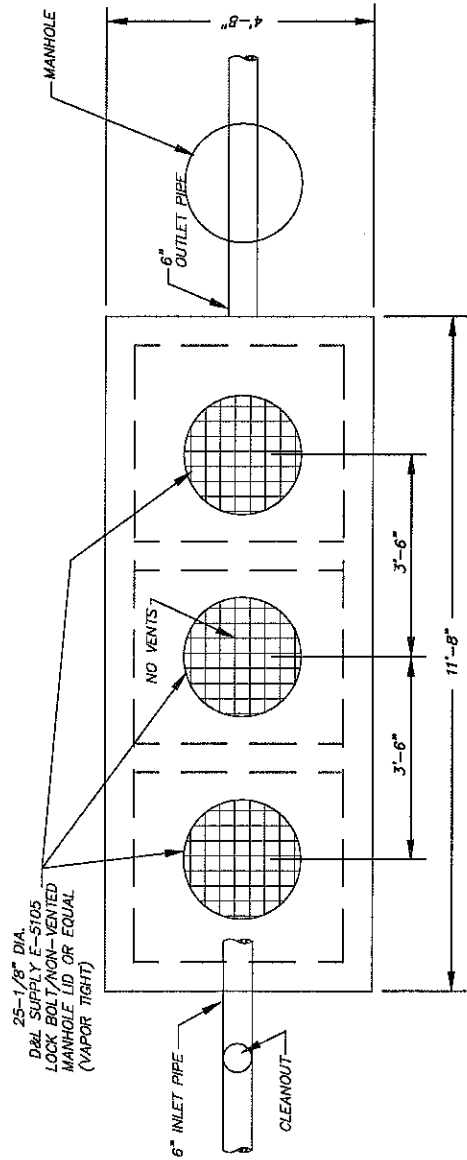
TYPICAL TRENCH DETAIL

N.T.S.

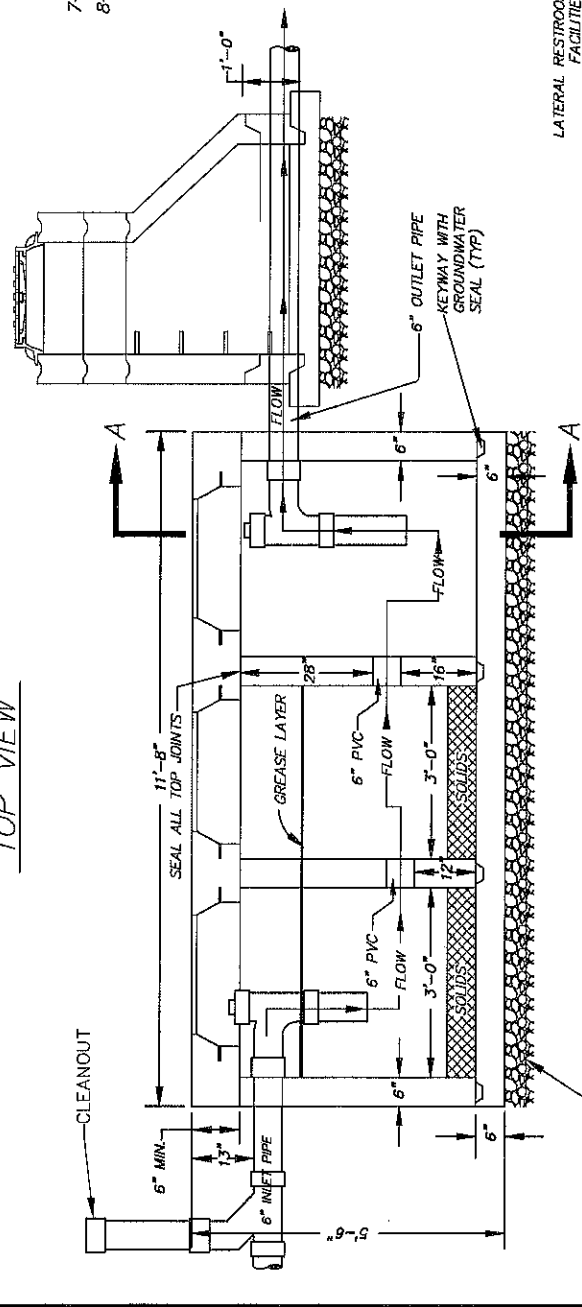


NOTES:

- 1- MATERIAL SPEC'S:
 A. CONCRETE, PORTLAND CEMENT TYPE II, MINIMUM COMPRESSIVE STRENGTH=3000 PSI AT 28 DAYS.
 B. REINFORCING BAR INTERMEDIATE GRADE ASTM A615.
 C. REINFORCING WELDED WIRE MESH ASTM A185
- 2- UNIT COATED OUTSIDE WITH AN APPROVED PROTECTIVE COATING.
- 3- ALL DIMENSIONS +/- NOT TO BE USED FOR CONSTRUCTION PURPOSES UNLESS CERTIFIED.
- 4- PRECAST UNIT TO BE PLACED ON NATURAL SOIL OR APPROVED COMPACTED FILL.
- 5- STANDARD GROUND WATER SEAL-BUTYL ROPE MASTIC OR CEMENT MORTAR.
- 6- PRIOR TO BACKFILLING, INTERCEPTOR SHALL BE TESTED. TANK SHALL BE EXPOSED ON ALL SIDES AND FILLED WITH WATER AND SHALL HOLD WATER FOR A MINIMUM TEST PERIOD OF TWO HOURS.
- 7- CLEANOUT SIZE TO MATCH INLET/OUTLET SIZE.
- 8- NOT TO EXCEED 5' COVER OVER SAND TRAP /INTERCEPTOR



TOP VIEW

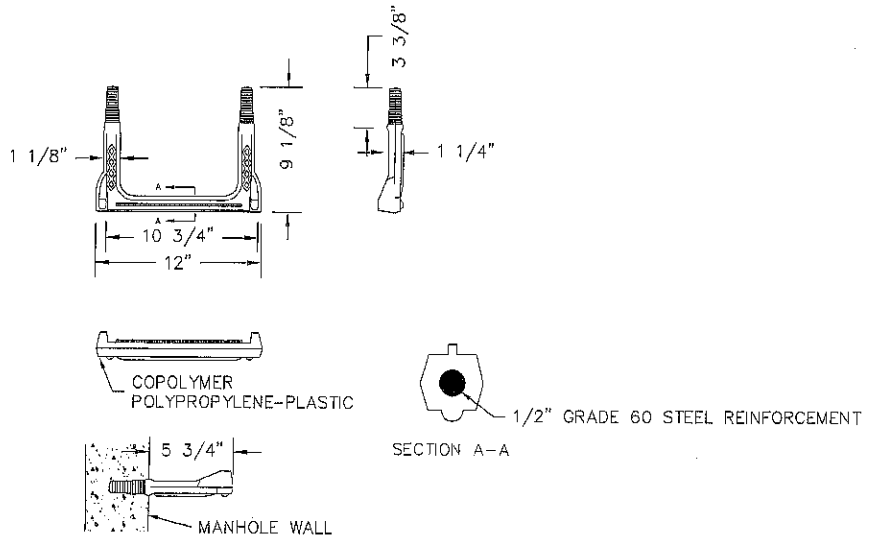


FRONT X-SECTION VIEW

SIDE X-SECTION A-A

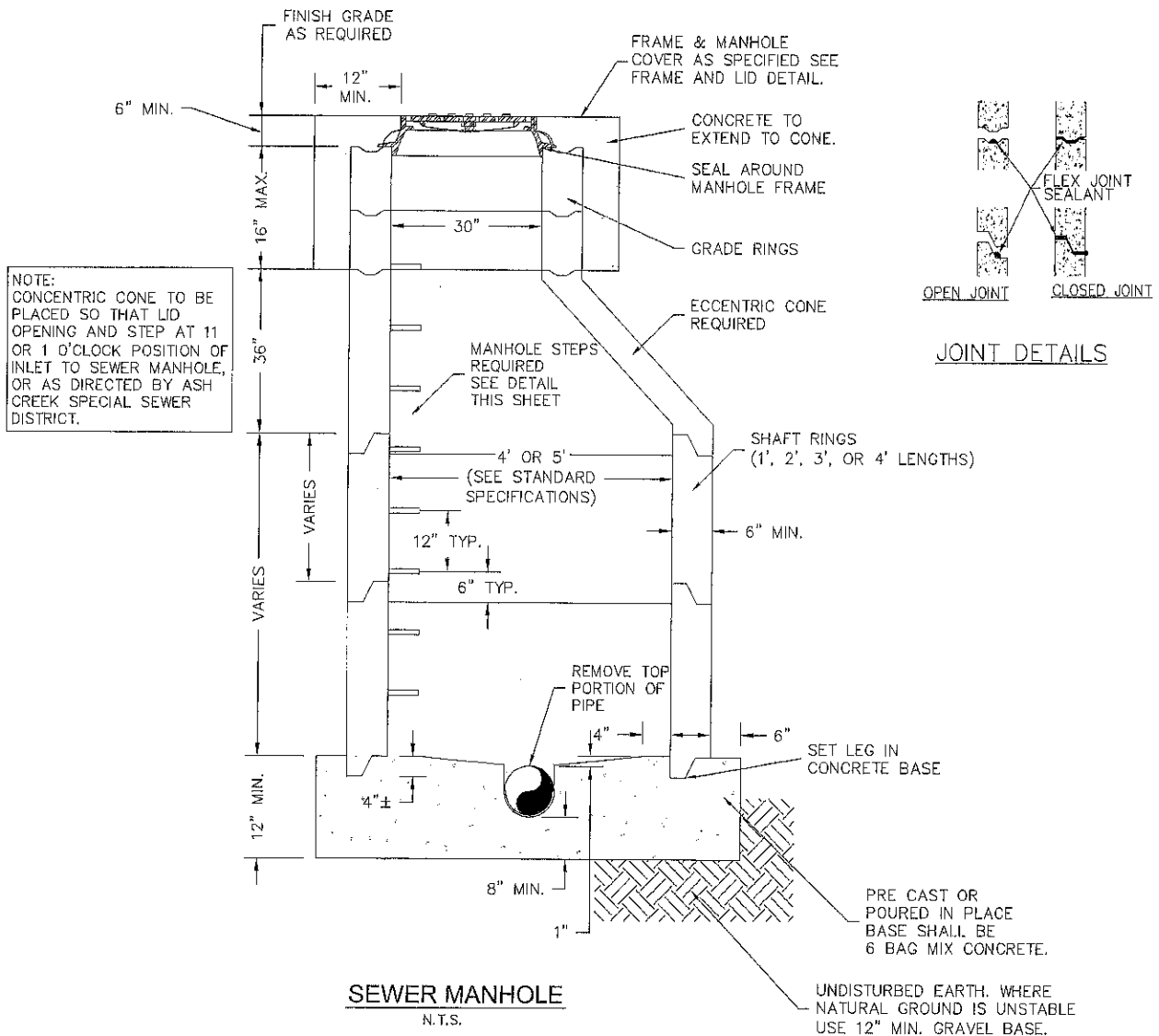
GREASE AND SAND TRAP DETAIL
 N.T.S.

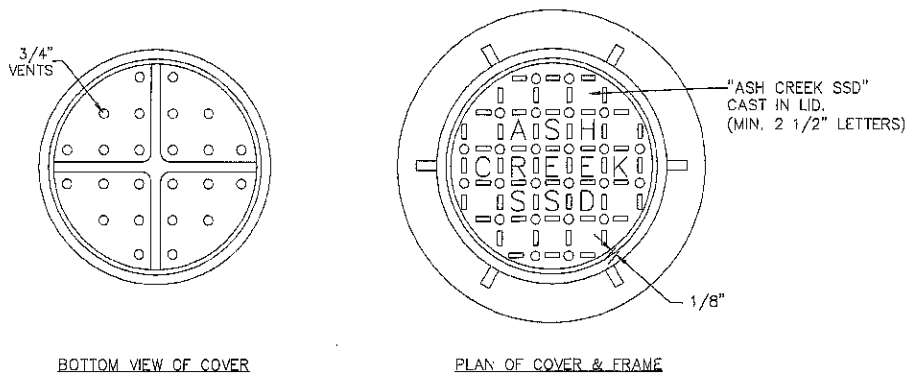
S:\sds\proj\071-05\Ash Creek SSD Standard DWG\ACSSD Standard Drawings.dwg, B, 4/22/2008 9:37:15 AM, wlee



SEWER MANHOLE STEP DETAILS

N.T.S.

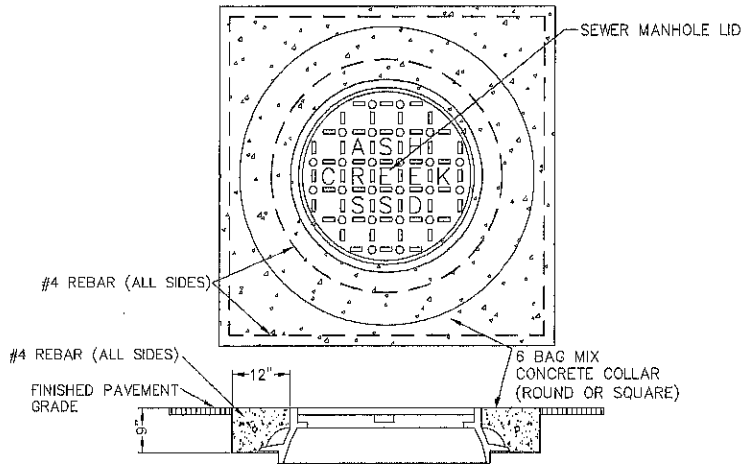




NOTE:
 CAST IRON FRAME & COVER TO MEET REQUIREMENTS OF ASTM A 48
 (CLASS 30) REQUIRED MINIMUM COMBINED WEIGHT 402 lbs.

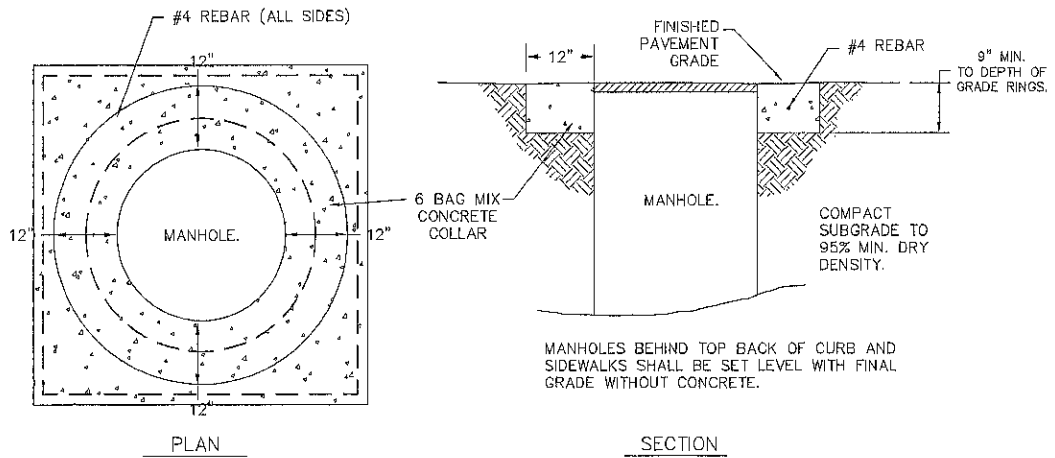
RING & LID DETAIL

N.T.S.



FRAME & LID DETAIL

N.T.S.



PLAN

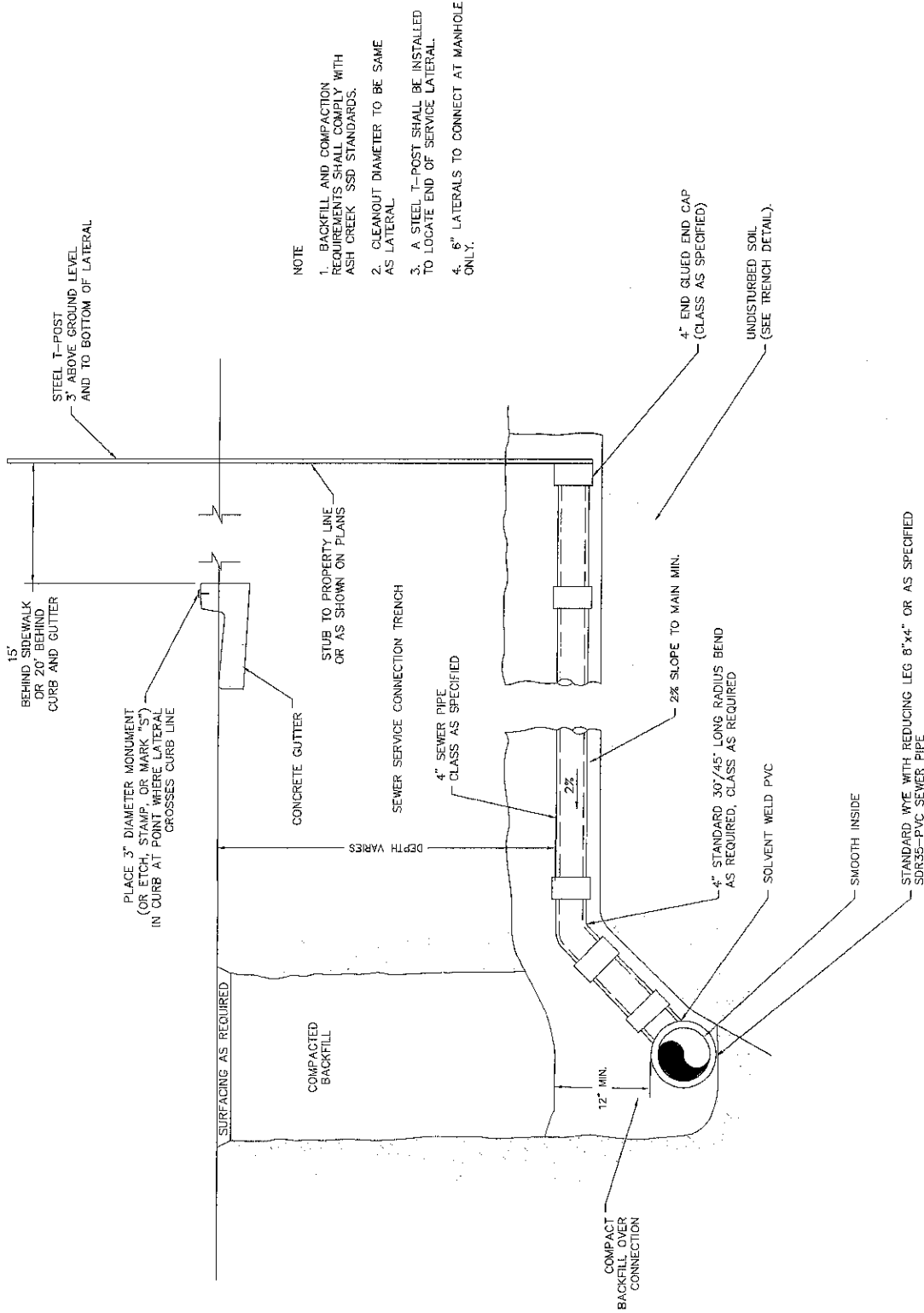
SECTION

NOTES

1. ADJUST MANHOLES TO GRADE AFTER PAVING IS COMPLETED.
2. CUT OUT TOP AND SET COVER TO GRADE & BACKFILL w/ CONCRETE. ASPHALT SHALL BE SAW CUT IN STRAIGHT UNIFORM LINES.

MANHOLE-ADJUSTMENT TO GRADE

N.T.S.



- NOTE
1. BACKFILL AND COMPACTION REQUIREMENTS SHALL COMPLY WITH ASH CREEK SSD STANDARDS.
 2. CLEANOUT DIAMETER TO BE SAME AS LATERAL.
 3. A STEEL T-POST SHALL BE INSTALLED TO LOCATE END OF SERVICE LATERAL.
 4. 6" LATERALS TO CONNECT AT MANHOLE ONLY.

SEWER SERVICE CONNECTION DETAIL
N.T.S.